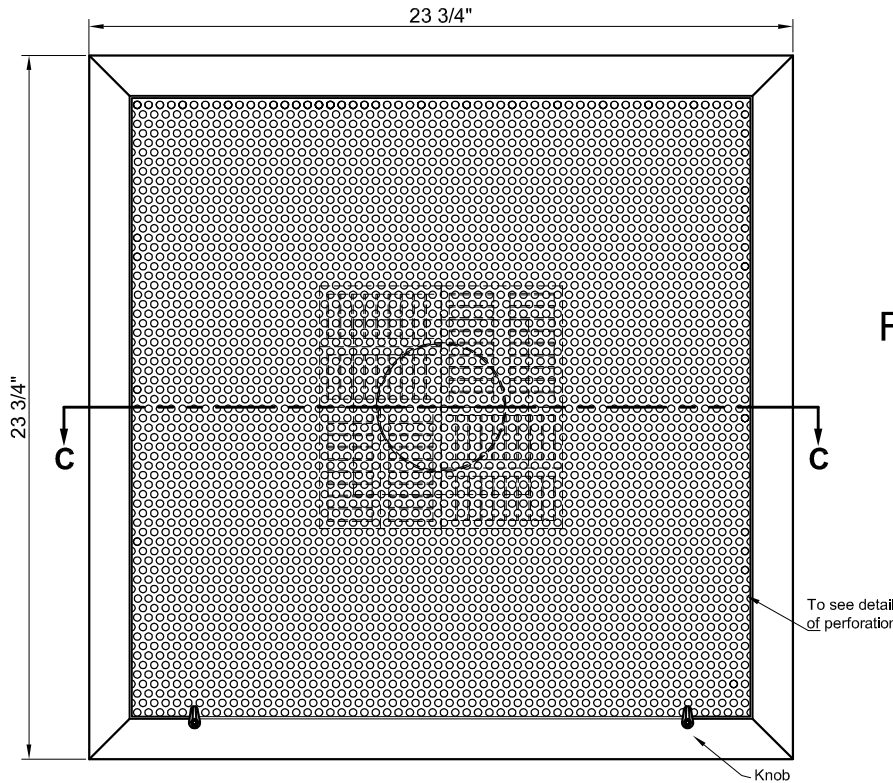
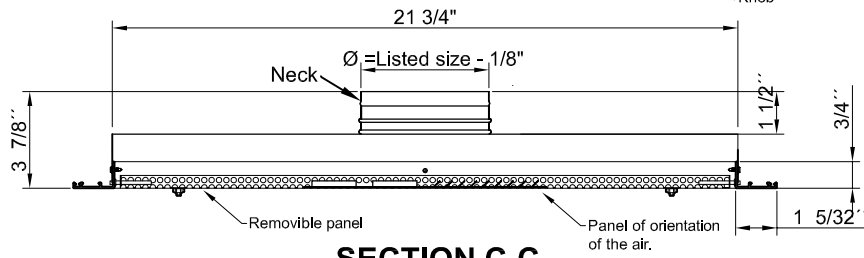
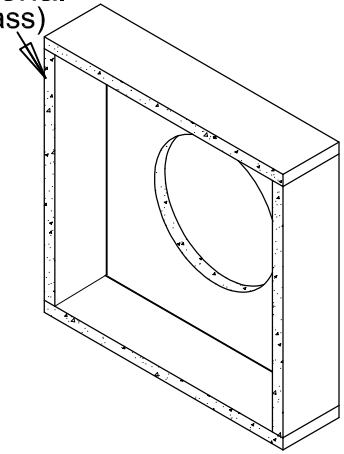


MODEL L-PC-1

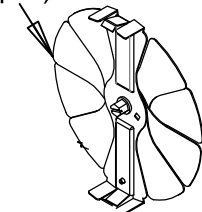
MODEL: L-PC-1
L-PC-1-D2
L-PC-1-FB
L-PC-1-D2-FB



FB-Optional
(Fiber glass)

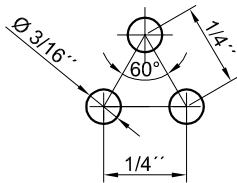


D2-Optional
(Radial sliding blade damper)



SECTION C-C

Detail of perforation



Finish
White (Standard)
Other colors (Optional)

Note 1: Available in sizes 24"x24"

Note 2: Neck and D2 (Radial sliding blade damper) Optional Available in size ØMN 6", 8", 10", 12", 14".

Dimensions are in inches

Frame: Extruded aluminum
Steel Perforated C.R R-5 T7 Cal 0.6 mm

L-PC-1
L-PC-1-D2
L-PC-1-FB
L-PC-1-D2-FB

Job Name: _____
Location: _____

Architect: _____
Engineer: _____
Contractor: _____