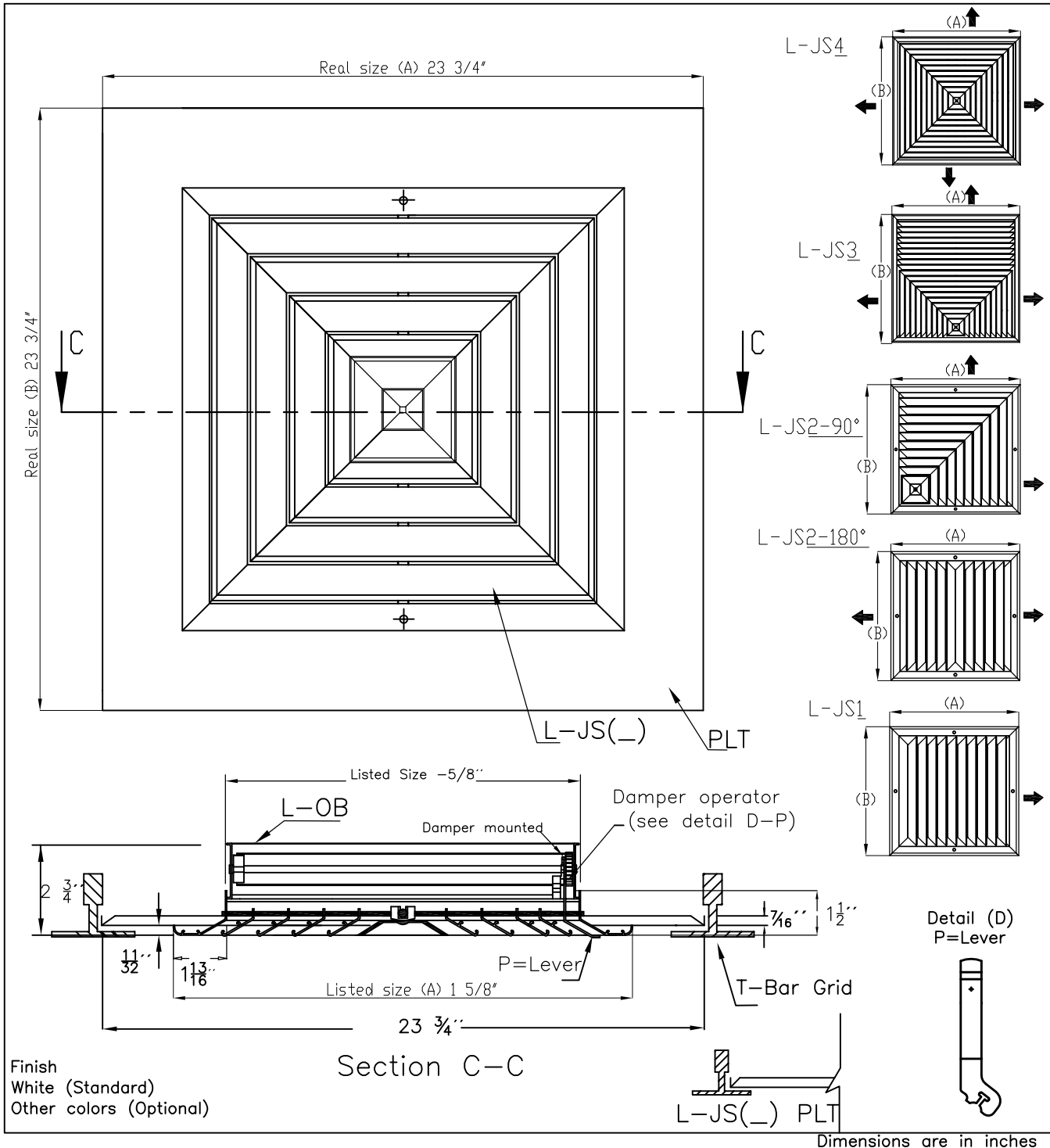


MODEL L-JS()-OB-PLT



Note 1: Available (A)x(B): L-JS 6"x6" to 18"x18"
PLT of 24" x 24" TB

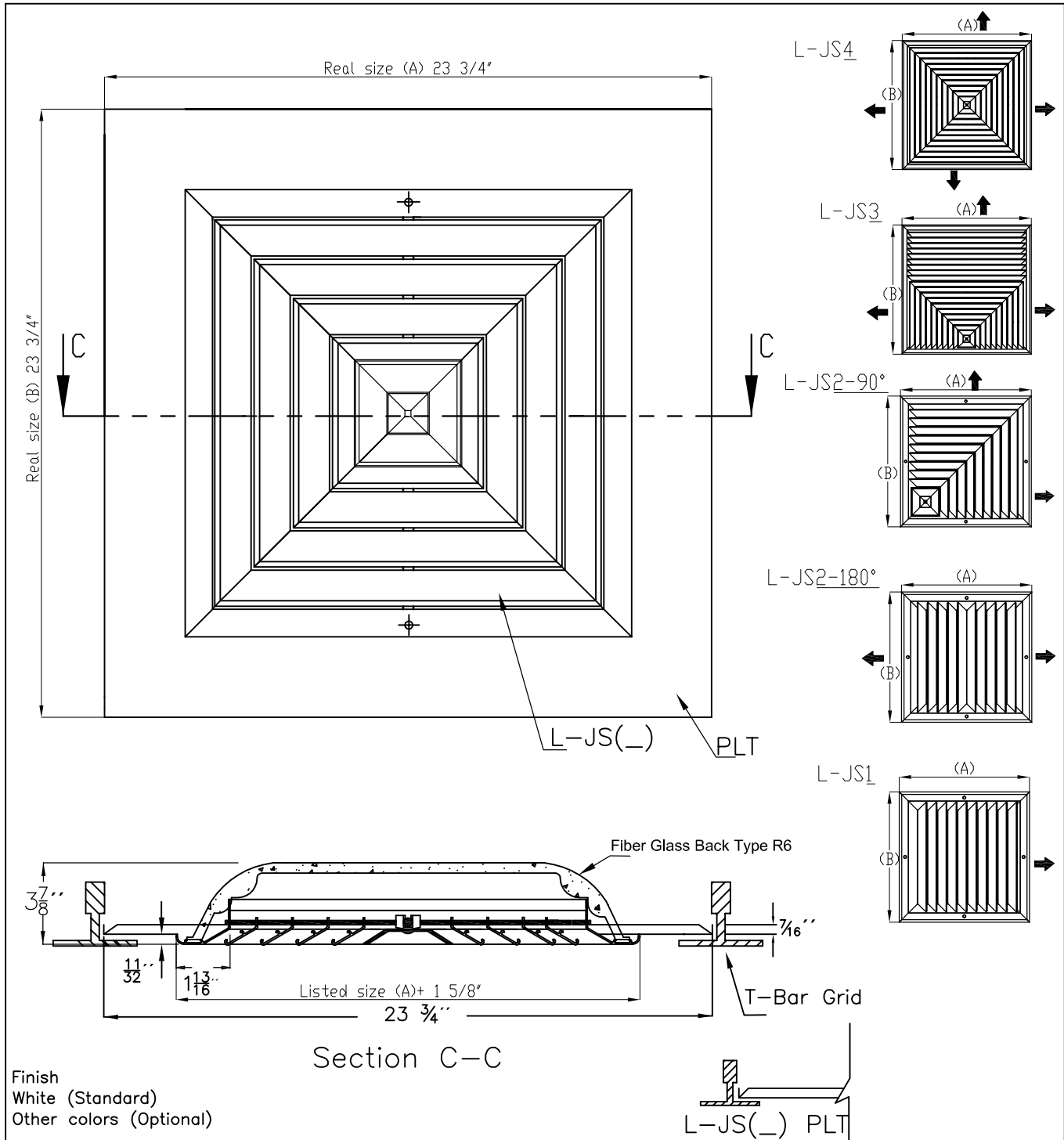
Note 2: * The size of the central opening panel varies according to the size of the element to use.

Extruded Aluminum

Job Name: _____
Location: _____

Architect: _____
Engineer: _____
Contractor: _____

MODEL L-JS()-PLT-FB



Note 1: Available (A)x(B): L-JS 6"x6" to 18"x18"
PLT of 24" x 24" TB

Note 2: * The size of the central opening panel varies according to the size of the element to use.

Extruded Aluminum

Job Name: _____

Architect: _____

Location: _____

Engineer: _____

Contractor: _____

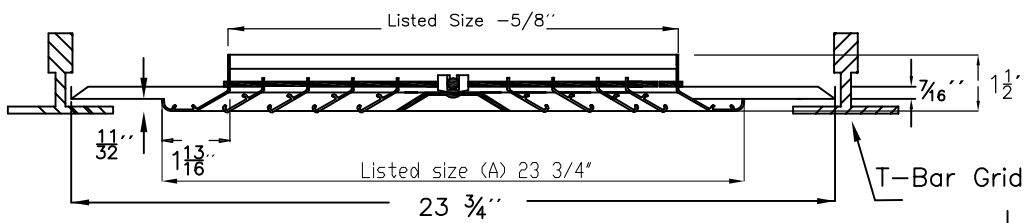
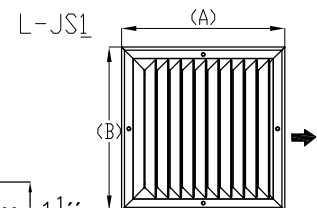
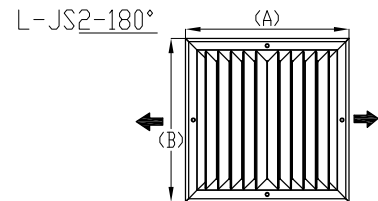
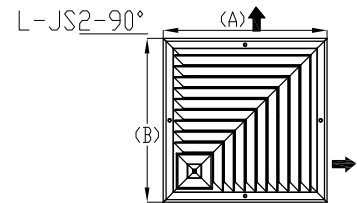
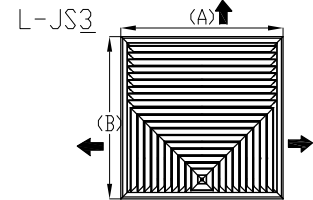
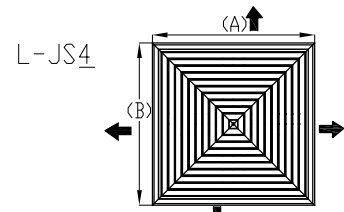
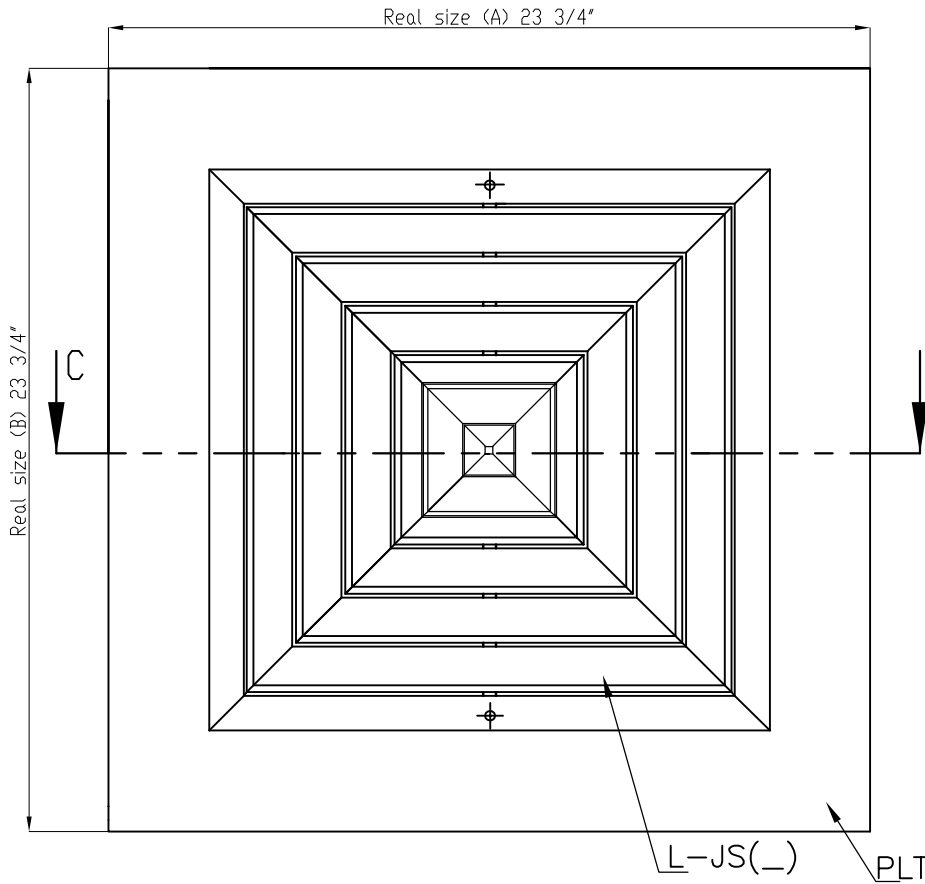


LAMINAIRE[®]

Grilles, Diffusers and A/C Accessories

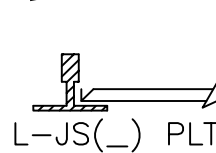
Submittal

MODEL L-JS()-PLT



Section C-C

Finish
 White (Standard)
 Other colors (Optional)



Dimensions are in inches

Note 1: Available (A)x(B): L-JS 6"x6" to 18"x18"
 PLT of 24" x 24" TB

Note 2: * The size of the central opening panel varies according to the size of the element to use.

Extruded Aluminum

Job Name: _____

Architect: _____

Location: _____

Engineer: _____

Contractor: _____