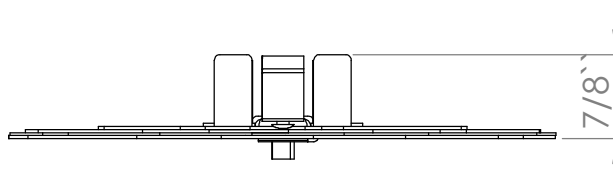
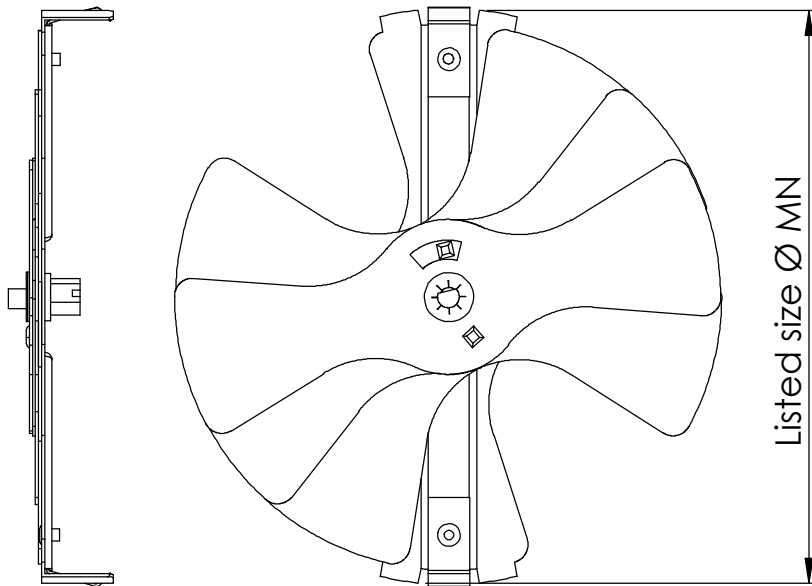
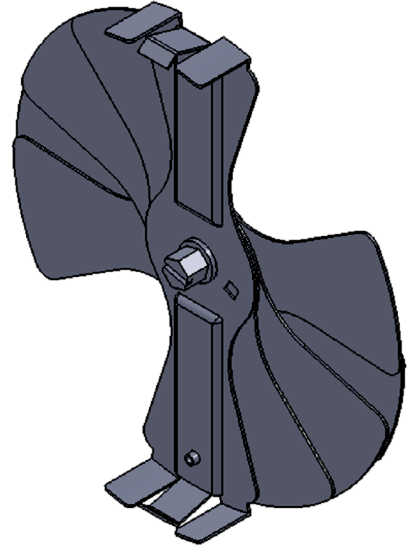




MODEL D-RA

Isometric



Finish  
Galvanized

Available in size ØMN 6'', 8'', 10'', 12'', 14''

MODEL D-RA

Galvanized steel  
gauge 20

Job Name: \_\_\_\_\_

Architect: \_\_\_\_\_

Location: \_\_\_\_\_

Engineer: \_\_\_\_\_

Contractor: \_\_\_\_\_