

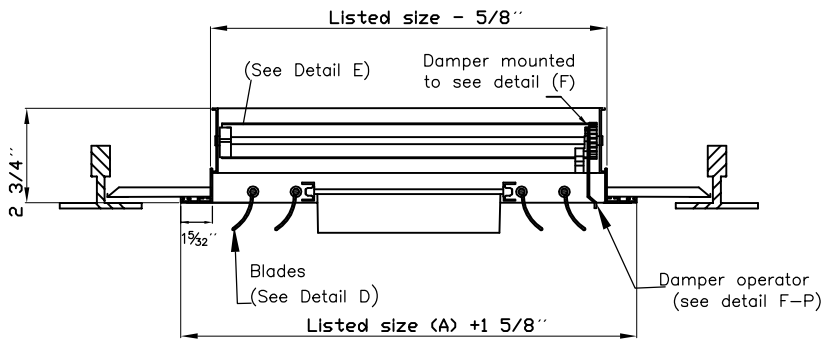
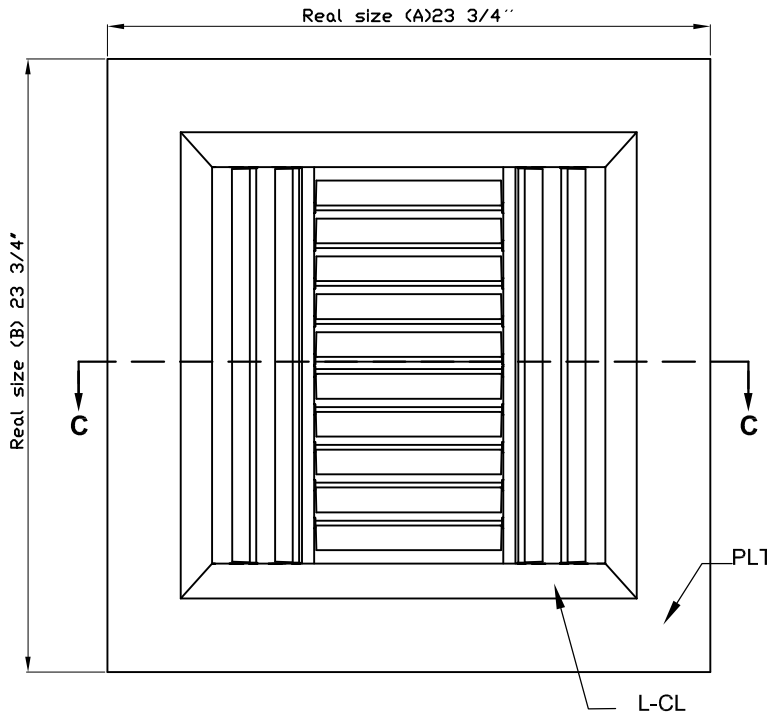


**LAMINAIRE**<sup>®</sup>

Grilles, Diffusers and A/C Accessories

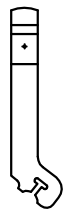
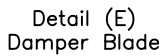
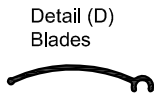
Submittal

MODEL L-CL-( )-OB-PLT

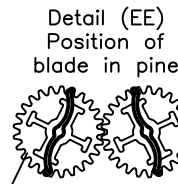


**Section C - C**

Detail (F)  
Damper OB P/G



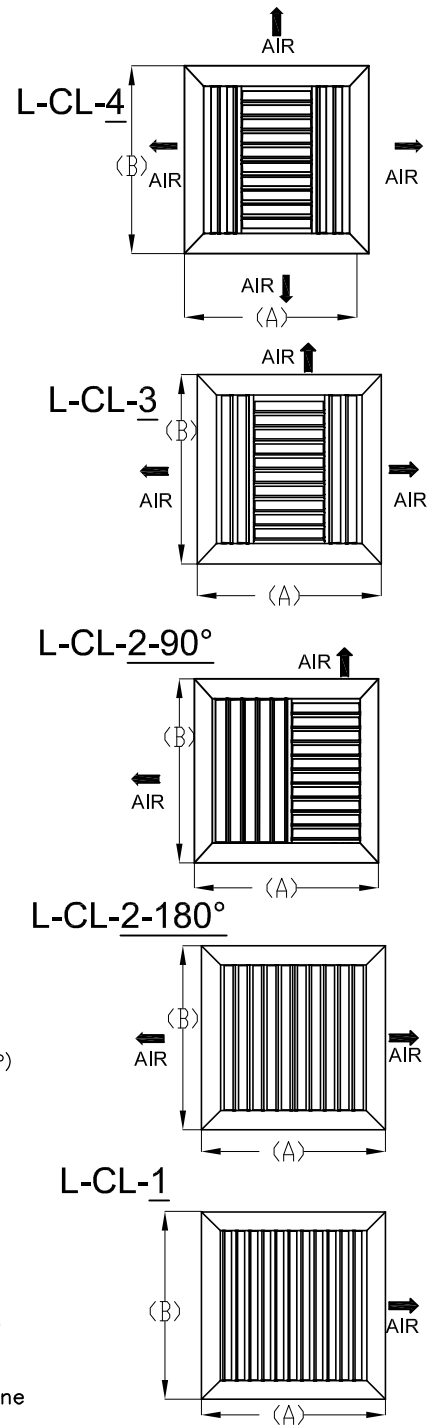
G=kit OB



Material : polyethylene

Finish  
White (Standard)  
Other colors (Optional)

P=Lever



Dimensions are in inches

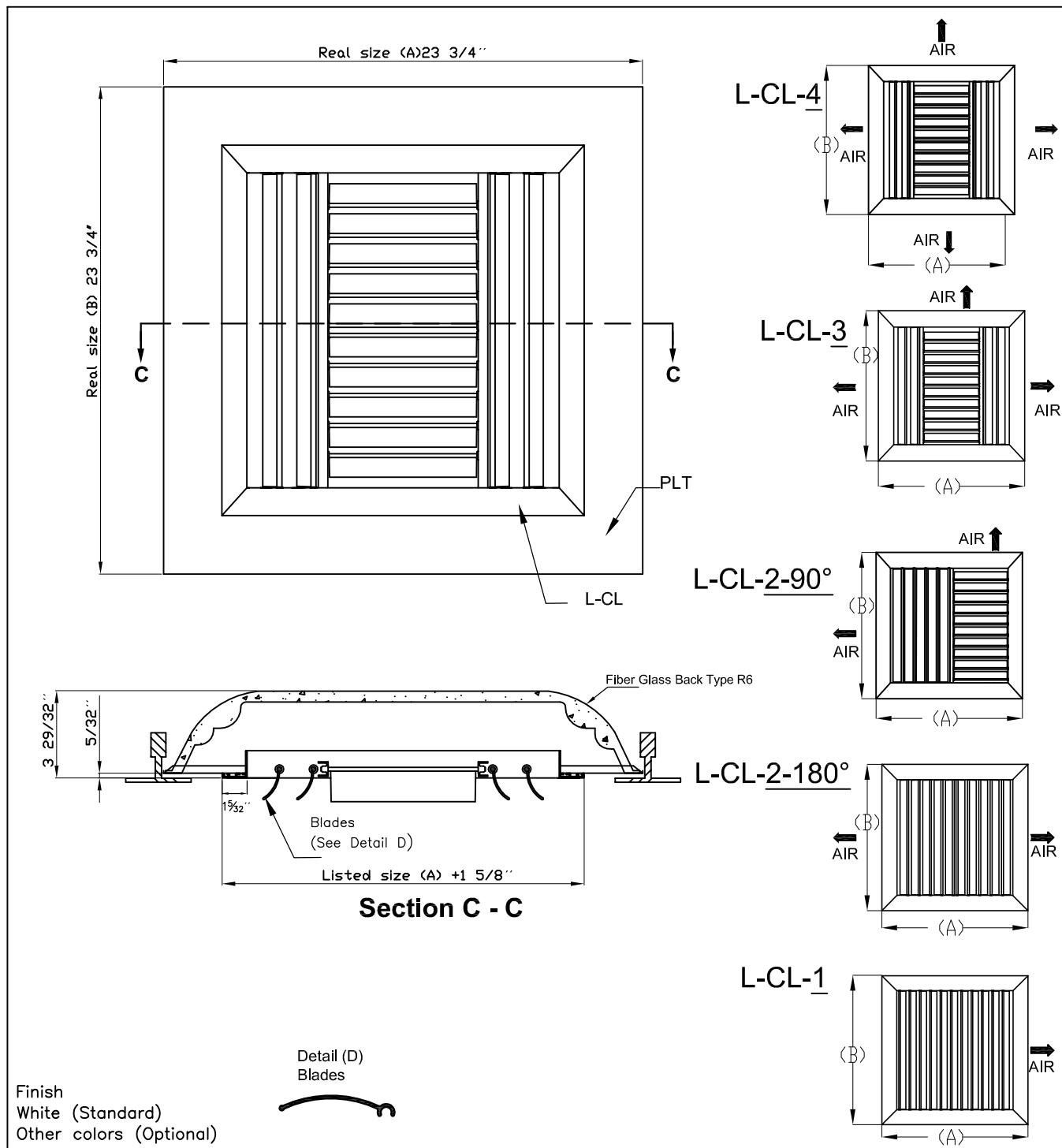
**Extruded Aluminum**

Note 1: Available (A)x(B): L-CL 6"x6" to 18"x18"  
PLT of 24"x24" TB

Job Name: \_\_\_\_\_  
Location: \_\_\_\_\_

Architect: \_\_\_\_\_  
Engineer: \_\_\_\_\_  
Contractor: \_\_\_\_\_

MODEL L-CL-( )-PLT-FB



Dimensions are in inches

Note 1: Available (A)x(B): L-CL 6"x6" to 18"x18"  
PLT of 24"x24" TB

Extruded Aluminum

Job Name: \_\_\_\_\_

Architect: \_\_\_\_\_

Location: \_\_\_\_\_

Engineer: \_\_\_\_\_

Contractor: \_\_\_\_\_

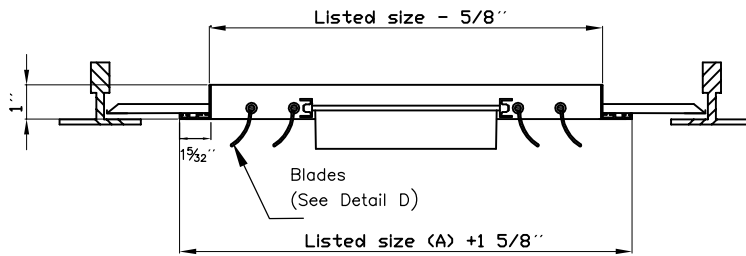
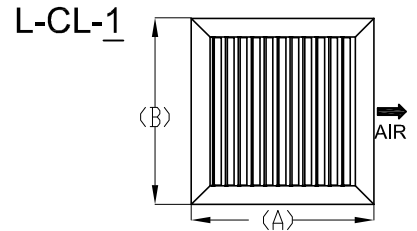
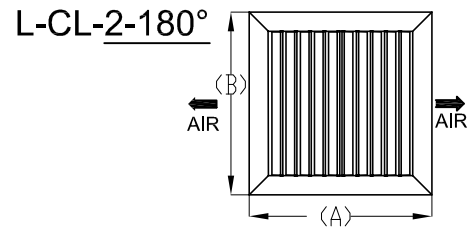
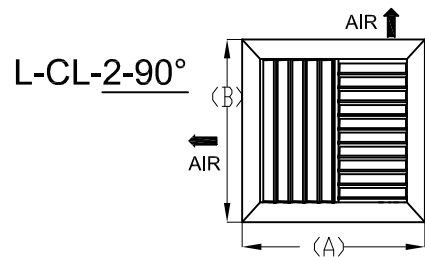
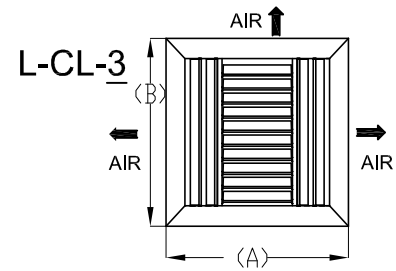
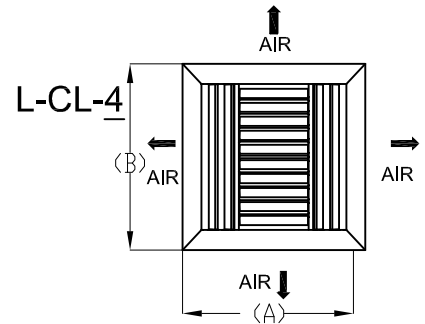
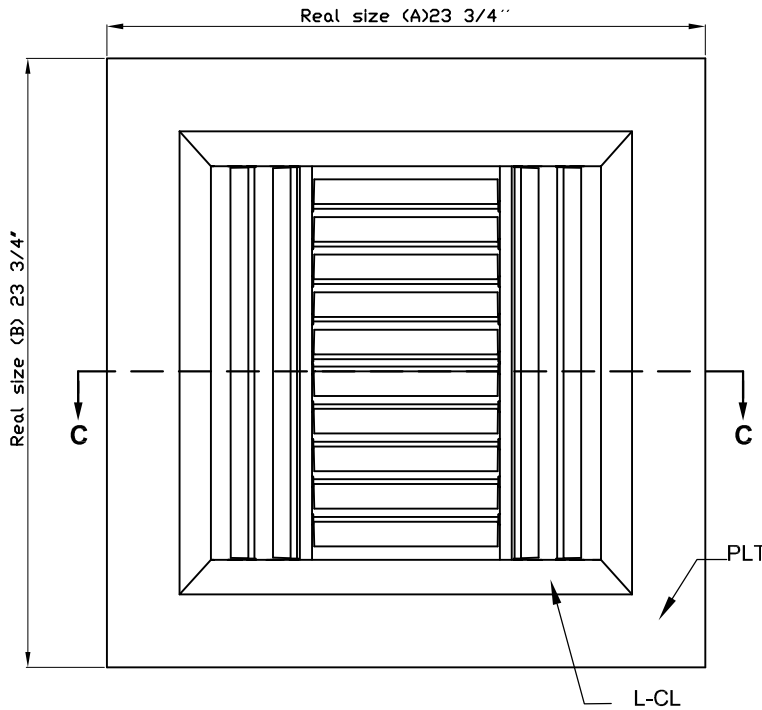


**LAMINAIRE**<sup>®</sup>

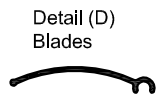
Grilles, Diffusers and A/C Accessories

Submittal

MODEL L-CL-( )-PLT



**Section C - C**



Finish  
White (Standard)  
Other colors (Optional)

Dimensions are in inches

Note 1: Available (A)x(B): L-CL 6"x6" to 18"x18"  
PLT of 24"x24" TB

**Extruded Aluminum**

Job Name: \_\_\_\_\_

Location: \_\_\_\_\_

Architect: \_\_\_\_\_

Engineer: \_\_\_\_\_

Contractor: \_\_\_\_\_