

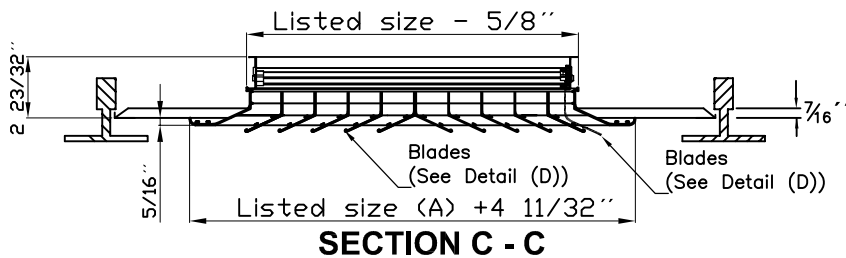
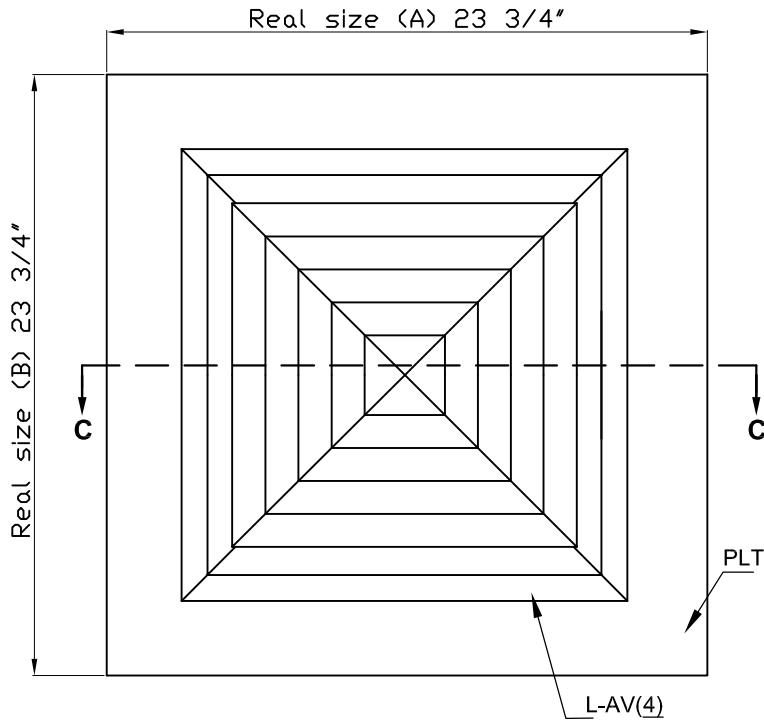


LAMINAIRE[®]

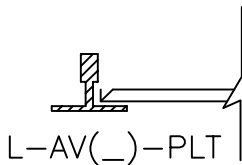
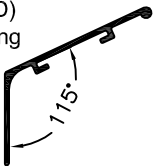
Grilles, Diffusers and A/C Accessories

Submittal

MODEL L-AV-()-F-OB-PLT

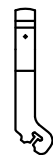


Detail (D)
Deflecting
Blade



Detail (EE)
Damper OB P/G

P= Lever



G=kit OB

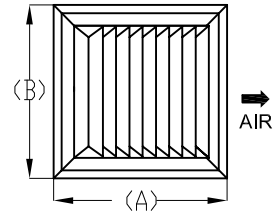


Finish
White (Standard)
Other colors (Optional)

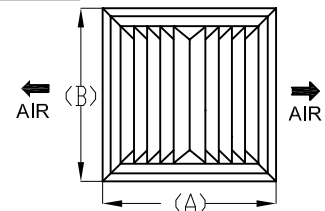
Note 1: Available (A)x(B): L-AV 6"x6" to 18"x18" (multiples of 3 by 3)
PLT of 24"x24" TB

Dimensions are in inches

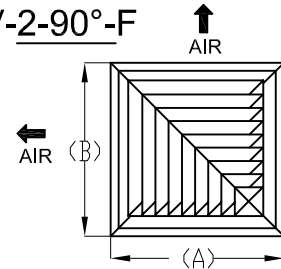
L-AV-1-F



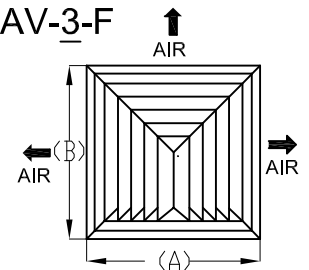
L-AV-2-180°-F



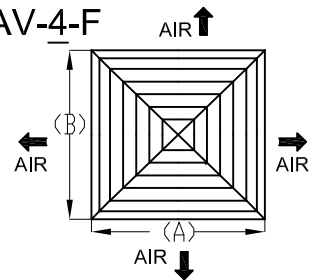
L-AV-2-90°-F



L-AV-3-F



L-AV-4-F



MODEL L-AV-()-F-OB-PLT

Extruded Aluminum

Job Name: _____

Location: _____

Architect: _____

Engineer: _____

Contractor: _____

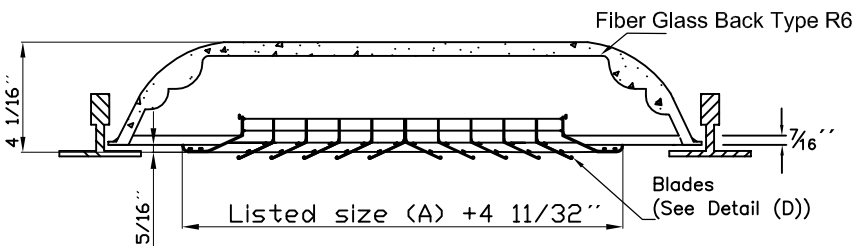
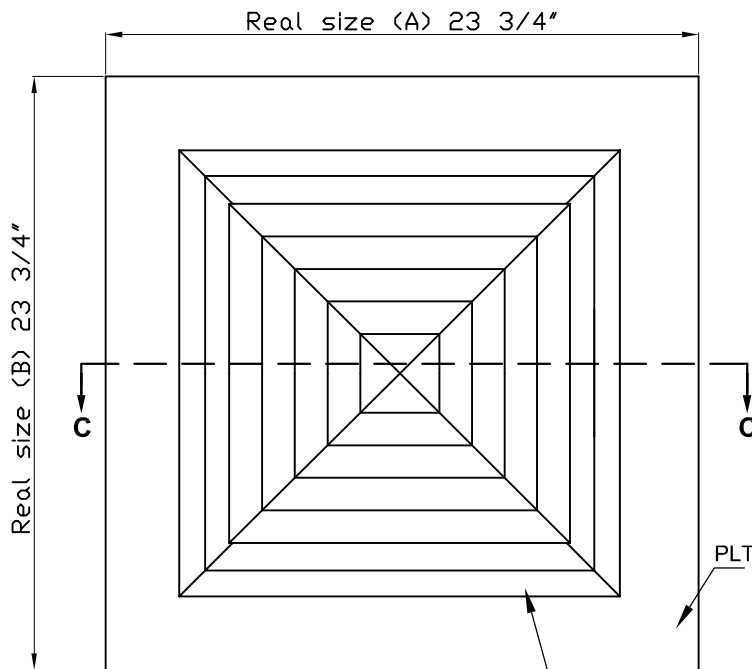


LAMINAIRE[®]

Grilles, Diffusers and A/C Accessories

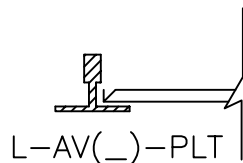
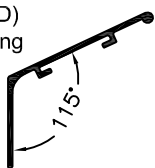
Submittal

MODEL L-AV-()-F-PLT-FB



SECTION C - C

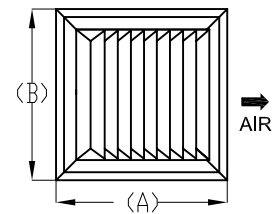
Detail (D)
Deflecting
Blade



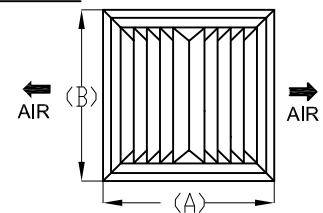
Finish
 White (Standard)
 Other colors (Optional)

Note 1: Available (A)x(B): L-AV 6"x6" to 18"x18" (multiples of 3 by 3)
 PLT of 24"x24" TB

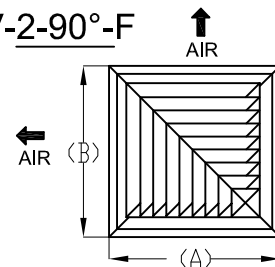
L-AV-1-F



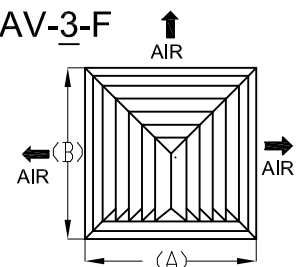
L-AV-2-180°-F



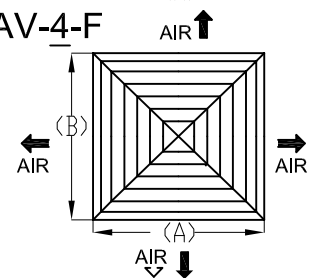
L-AV-2-90°-F



L-AV-3-F



L-AV-4-F



Dimensions are in inches

MODEL L-AV-()-F-PLT-FB

Extruded Aluminum

Job Name: _____

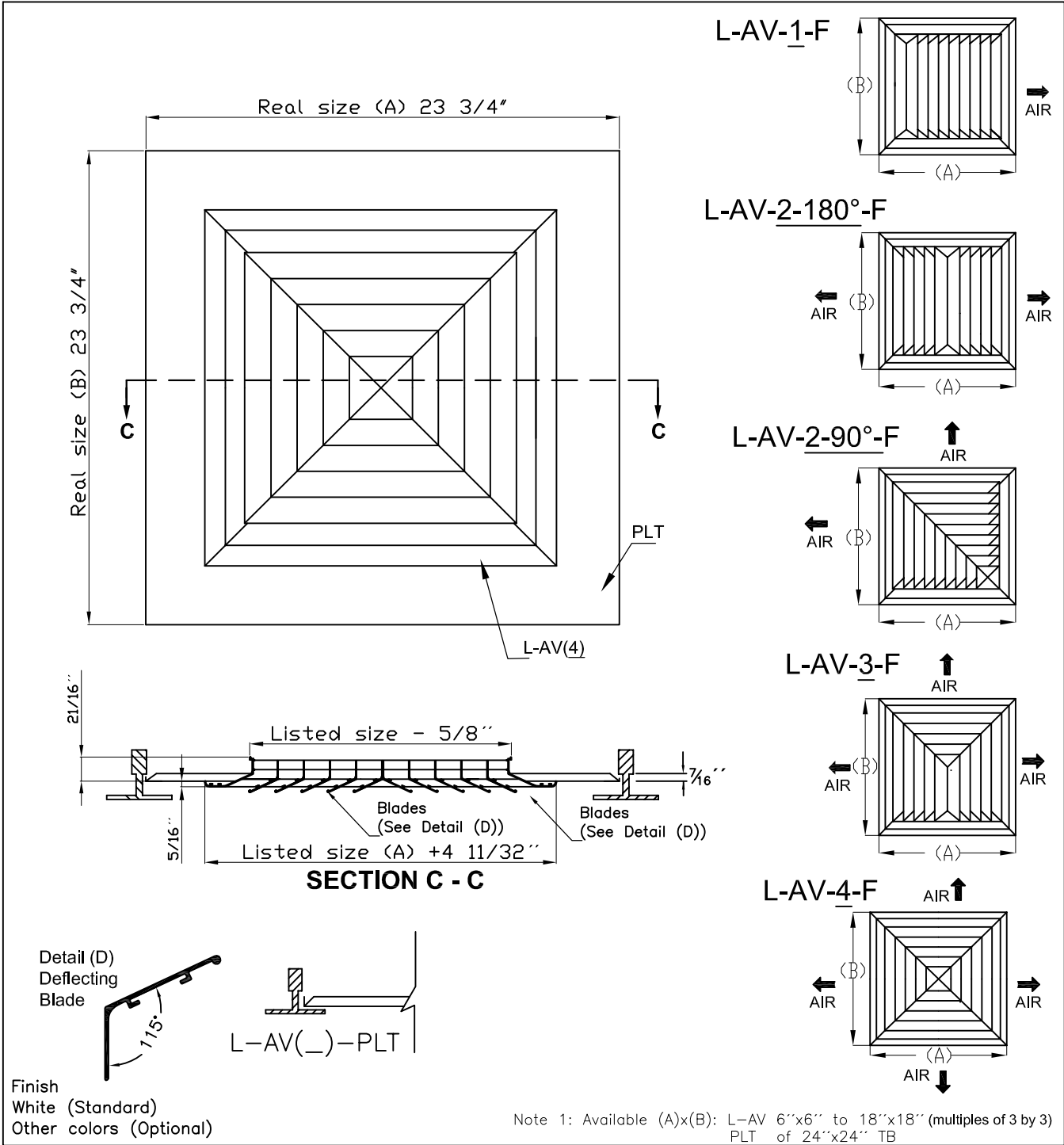
Location: _____

Architect: _____

Engineer: _____

Contractor: _____

MODEL L-AV-()-F-PLT



MODEL L-AV-()-F-PLT

Extruded Aluminum

Job Name: _____

Location: _____

Architect: _____

Engineer: _____

Contractor: _____

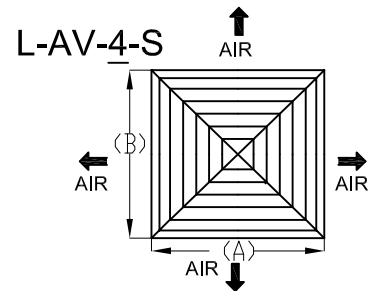
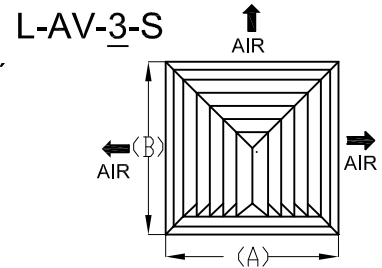
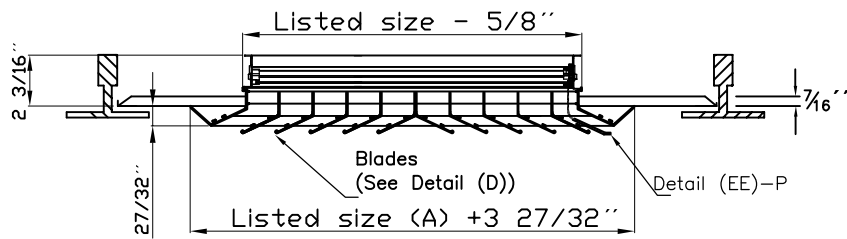
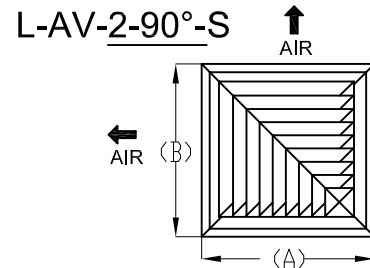
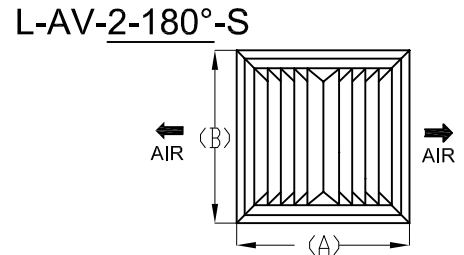
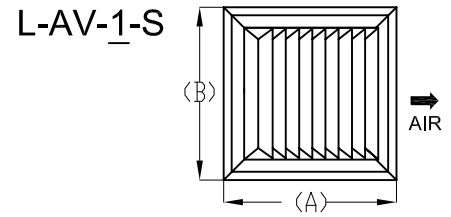
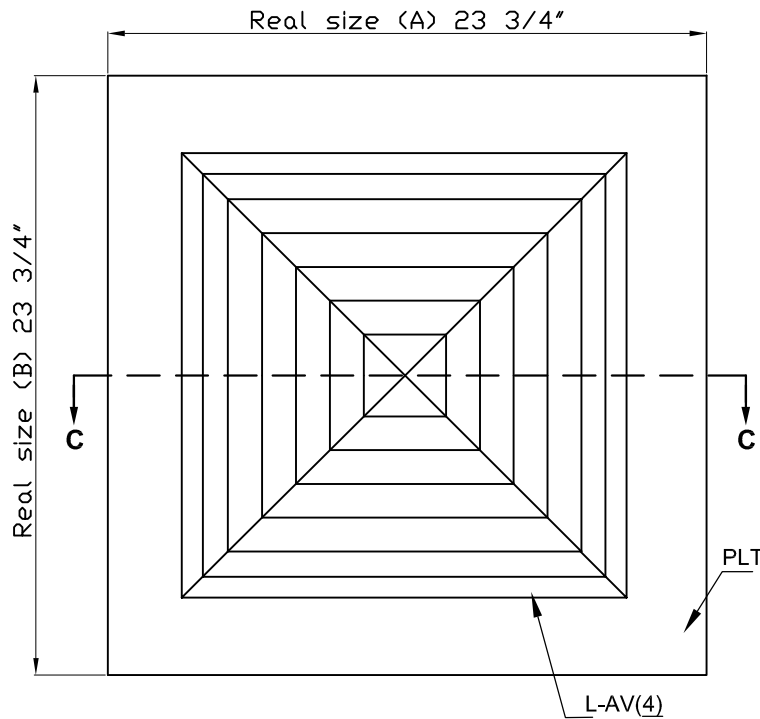


LAMINAIRE[®]

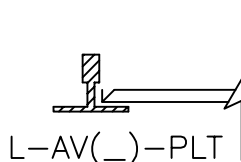
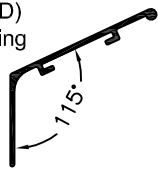
Grilles, Diffusers and A/C Accessories

Submittal

MODEL L-AV-()-S-OB-PLT

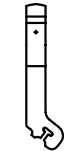


Detail (D)
Deflecting
Blade



Detail (EE)
Damper OB P/G

P= Lever



G=kit OB



Finish
White (Standard)
Other colors (Optional)

Note 1: Available (A)x(B): L-AV 6"x6" to 18"x18" (multiples of 3 by 3)
PLT of 24"x24" TB

Dimensions are in inches

MODEL L-AV-()-S-OB-PLT

Extruded Aluminum

Job Name: _____
Location: _____

Architect: _____
Engineer: _____
Contractor: _____

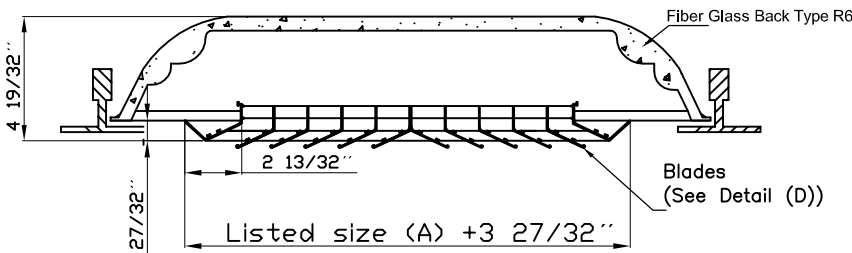
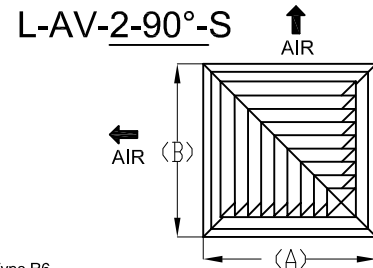
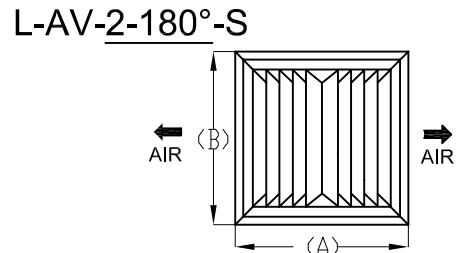
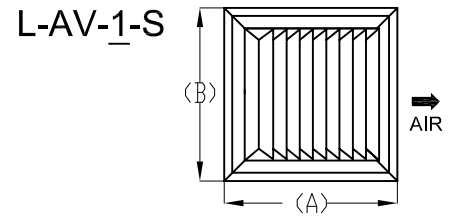
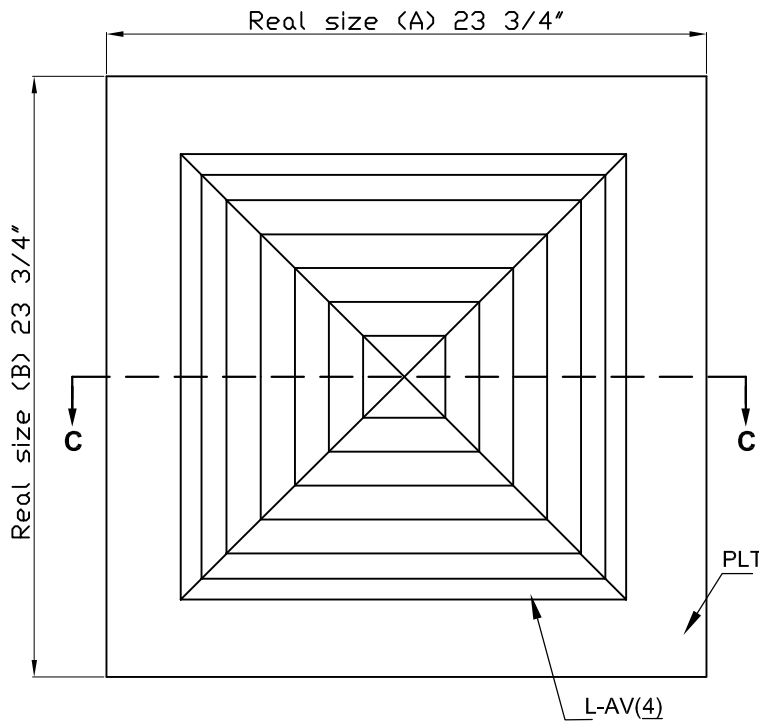


LAMINAIRE[®]

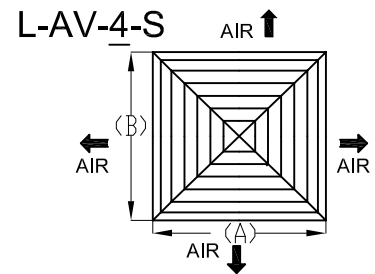
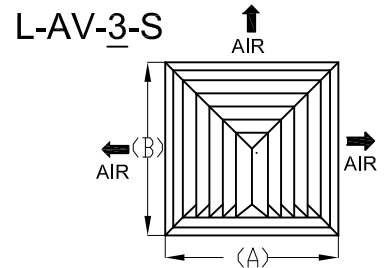
Grilles, Diffusers and A/C Accessories

Submittal

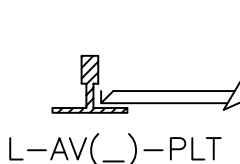
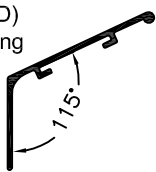
MODEL L-AV-()-S-PLT-FB



SECTION C - C



Detail (D)
Deflecting
Blade



Finish
White (Standard)
Other colors (Optional)

Note 1: Available (A)x(B): L-AV 6"x6" to 18"x18" (multiples of 3 by 3)
PLT of 24"x24" TB

Dimensions are in inches

MODEL L-AV-()-S-PLT-FB

Extruded Aluminum

Job Name: _____

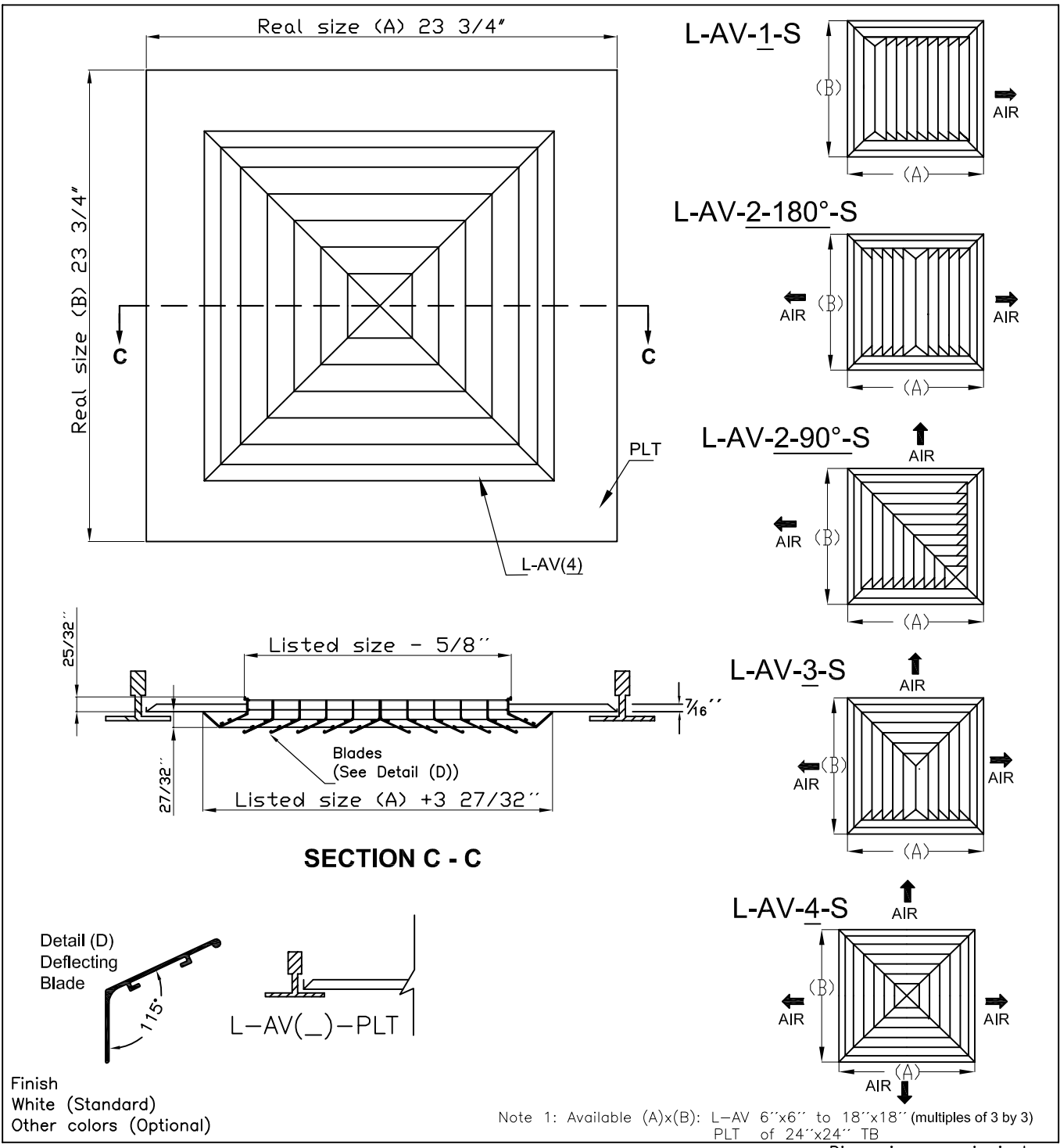
Architect: _____

Location: _____

Engineer: _____

Contractor: _____

MODEL L-AV-()-S-PLT



MODEL L-AV-()-S-PLT

Extruded Aluminum

Job Name: _____

Location: _____

Architect: _____

Engineer: _____

Contractor: _____