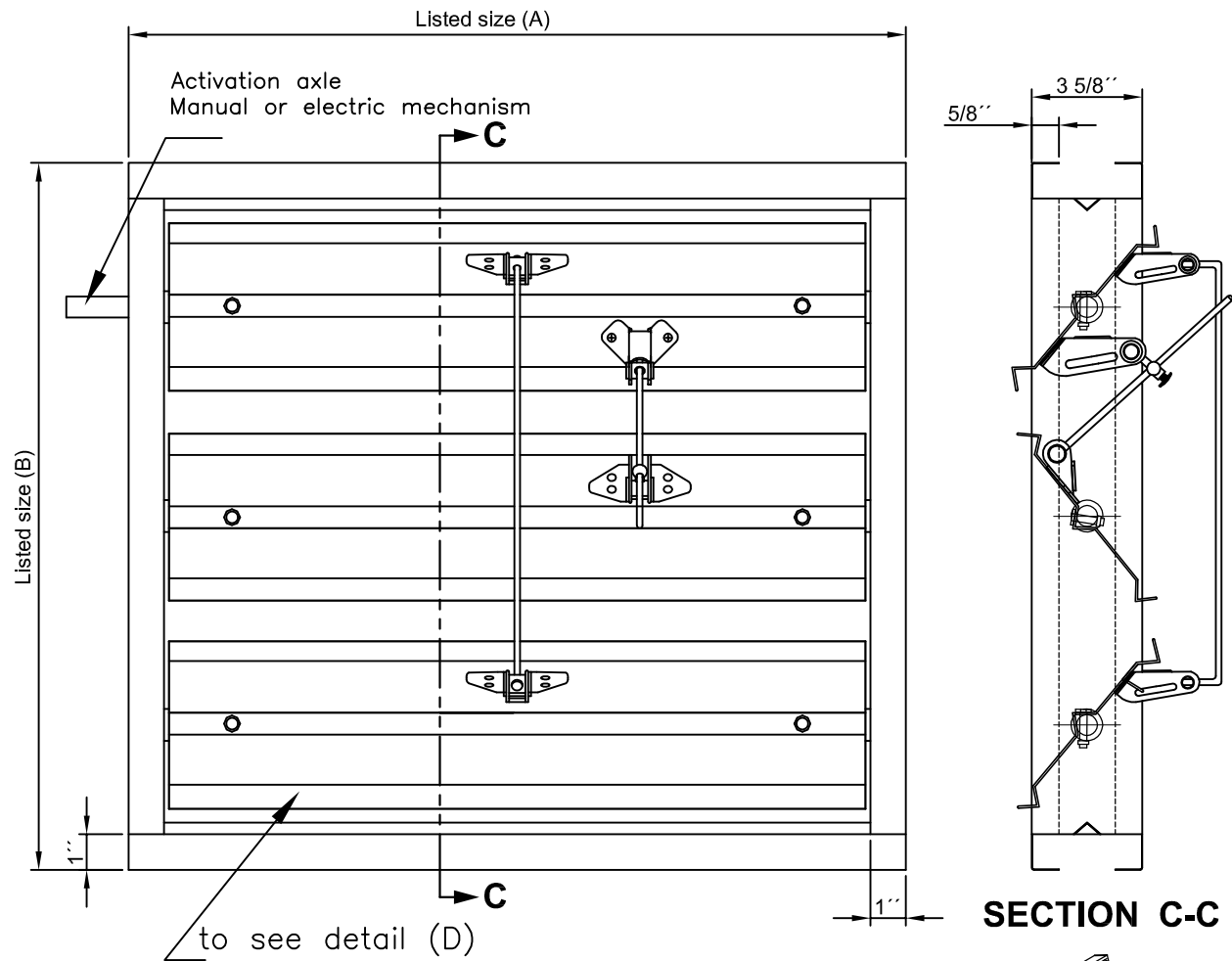


MODEL L-5103

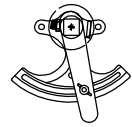
MULTIBLADE CONTROL DAMPER
PARALLEL BLADE



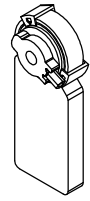
DETAIL (D)
Blade



AXLES: $\phi \frac{1}{2}$ "
FINISH: Mill Galvanized



Manual actuator



Electric mechanism
on-off or proportional

Note: Listed size (A)x(B):12"x14" until 48"x48"

Dimensions are in inches

MODEL L - 5103

FRAME : GALV. STEEL CAL. 16
BLADE : GALV. STEEL CAL. 18

Job Name: _____
Location: _____

Architect: _____
Engineer: _____
Contractor: _____