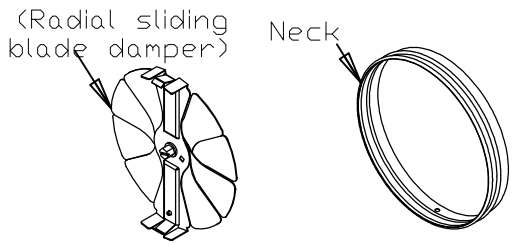


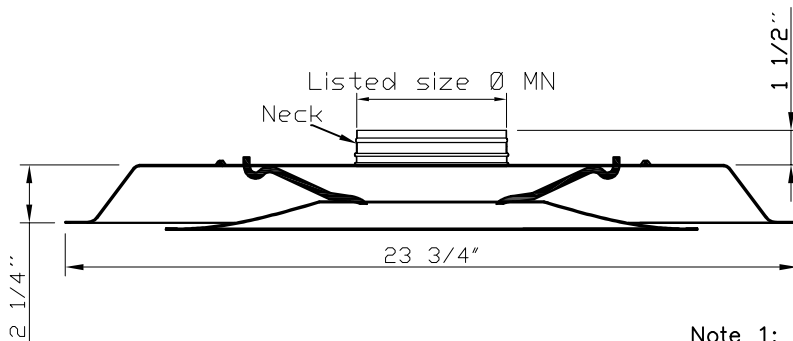
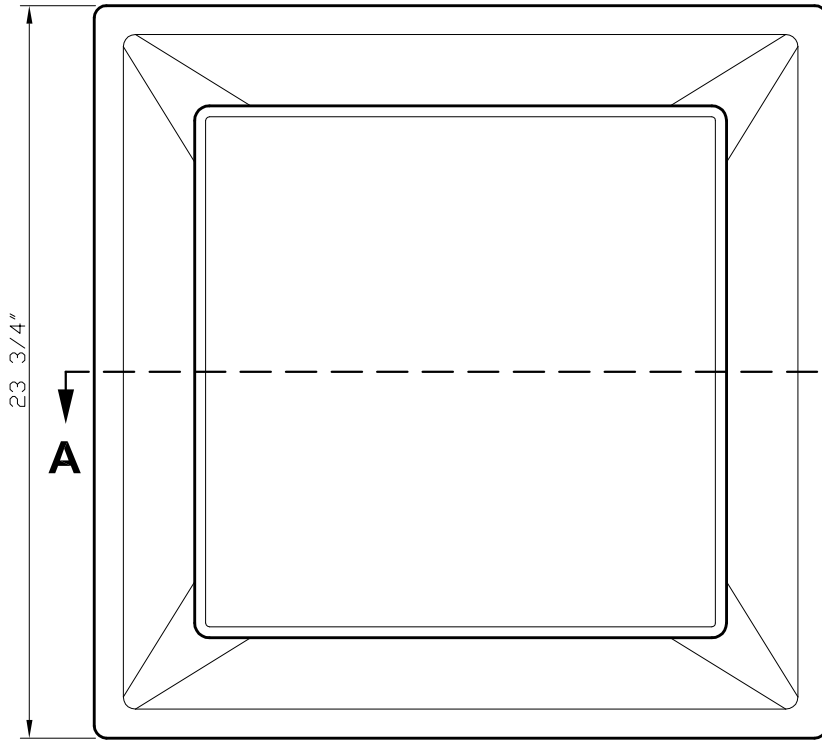
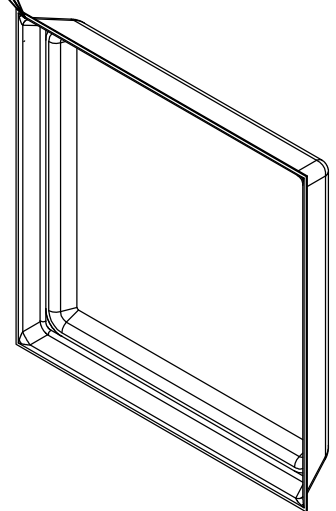


L-1300-A-FP

L-1300-A-FP
 L-1300-A-FP-D2
 L-1300-A-FP-INS
 L-1300-A-FP-INS-D2
 D2-Optional



INS-U-Optional
 fiberglass plenum



Note 1: L-1300 FP (cone)-Aluminum Ø 12",
 Neck optional available in size ØMN 6", 8", 10",
 12",14".

Note 2: D2 (Radial sliding blade damper)
 Optional Available in size ØMN 6", 8", 10",12",14".

Note 3: INS-U (Fiberglass plenum)

Dimensions are in inches

Finish
 White (Standard)
 Other colors (Optional)

A=Aluminum Cal 16

L-1300-A-FP
 L-1300-A-FP-D2
 L-1300-A-FP-INS
 L-1300-A-FP-INS-D2

Job Name: _____

Architect: _____

Location: _____

Engineer: _____

Contractor: _____