

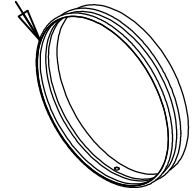
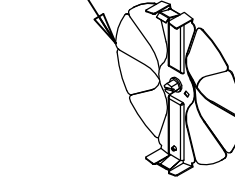
L-1300-A

L-1300-A
L-1300-A-D2
L-1300-A-D2-E
L-1300-A-INS-U
L-1300-A-INS-U-L-D2

D2-Optional

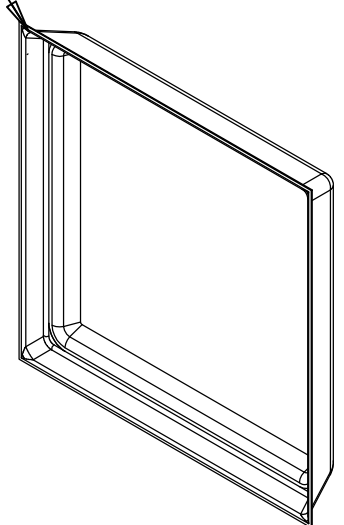
(Radial sliding blade damper)

Neck

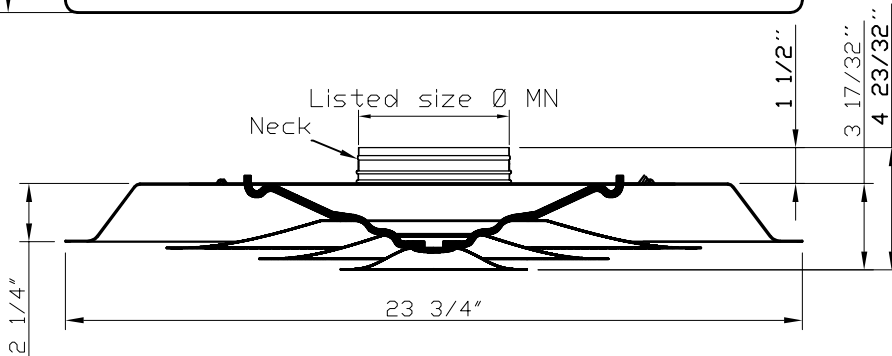
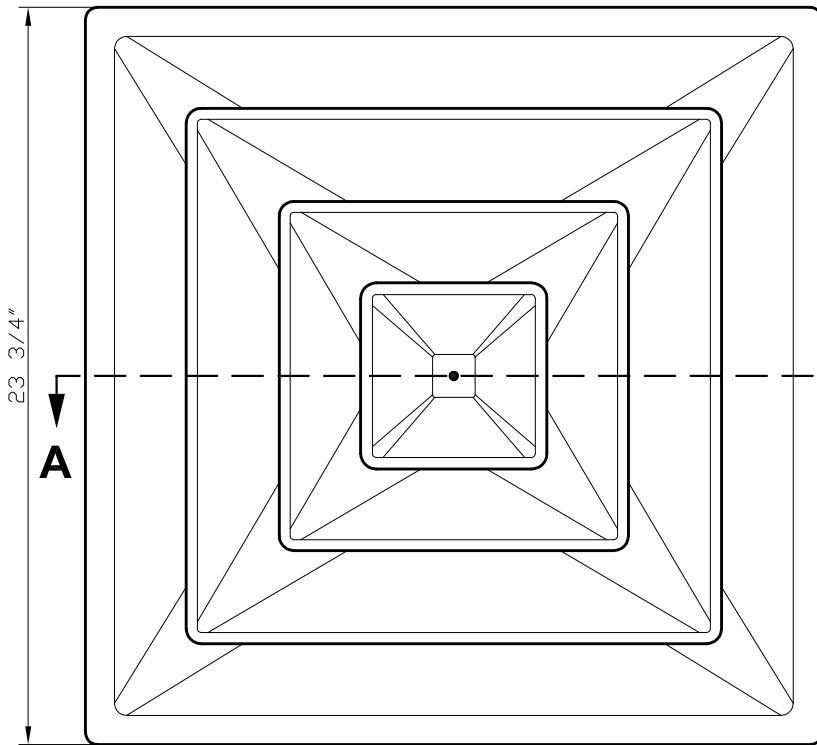
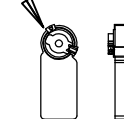


INS-U-Optional

fiberglass plenum



Engine (E)-Optional



Note 1: L-1300 (three cones)-Aluminum Ø 12", Neck optional available in size ØMN 6", 8", 10", 12", 14".

Note 2: D2 (Radial sliding blade damper) Optional Available in size ØMN 6", 8", 10", 12", 14".

Note 3: INS-U (Fiberglass plenum)

Note 4: Engine (E) marks BELIMO, proportional or On off available in size Ø10", 12", 14"

Finish
White (Standard)
Other colors (Optional)

Dimensions are in inches

A=Aluminum Cal 16

L-1300-A
L-1300-A-D2
L-1300-A-D2-E
L-1300-A-INS-U
L-1300-A-INS-U-L-D2

Job Name: _____

Location: _____

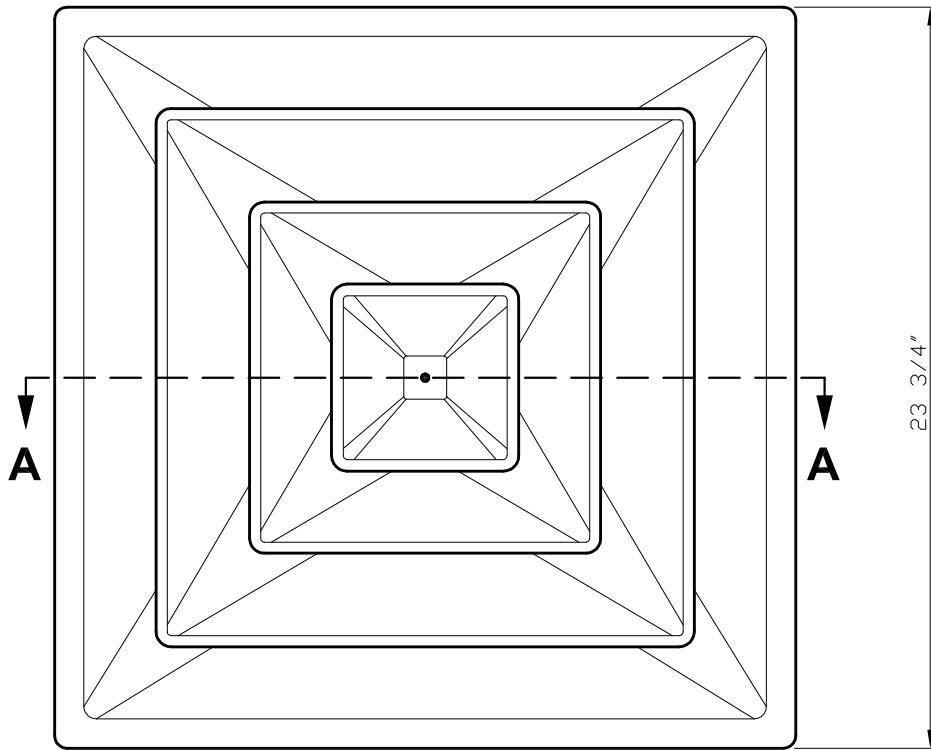
Architect: _____

Engineer: _____

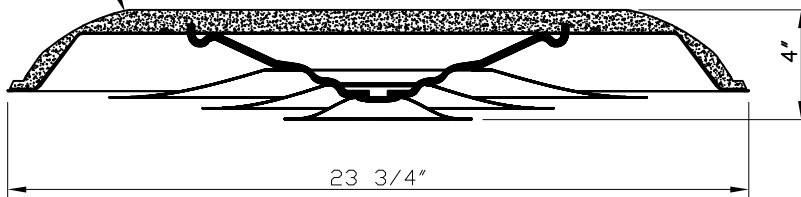
Contractor: _____



L-1300-A-INS-U



Fiber Glass Back type R6



Section A-A

Finish
 White (Standard)
 Other colors (Optional)

Note 1: Available L-1300 in size 24" x 24"

Dimensions are in inches

L-1300-A-INS-U

A=Aluminum Cal 16

Job Name: _____

Location: _____

Architect: _____

Engineer: _____

Contractor: _____