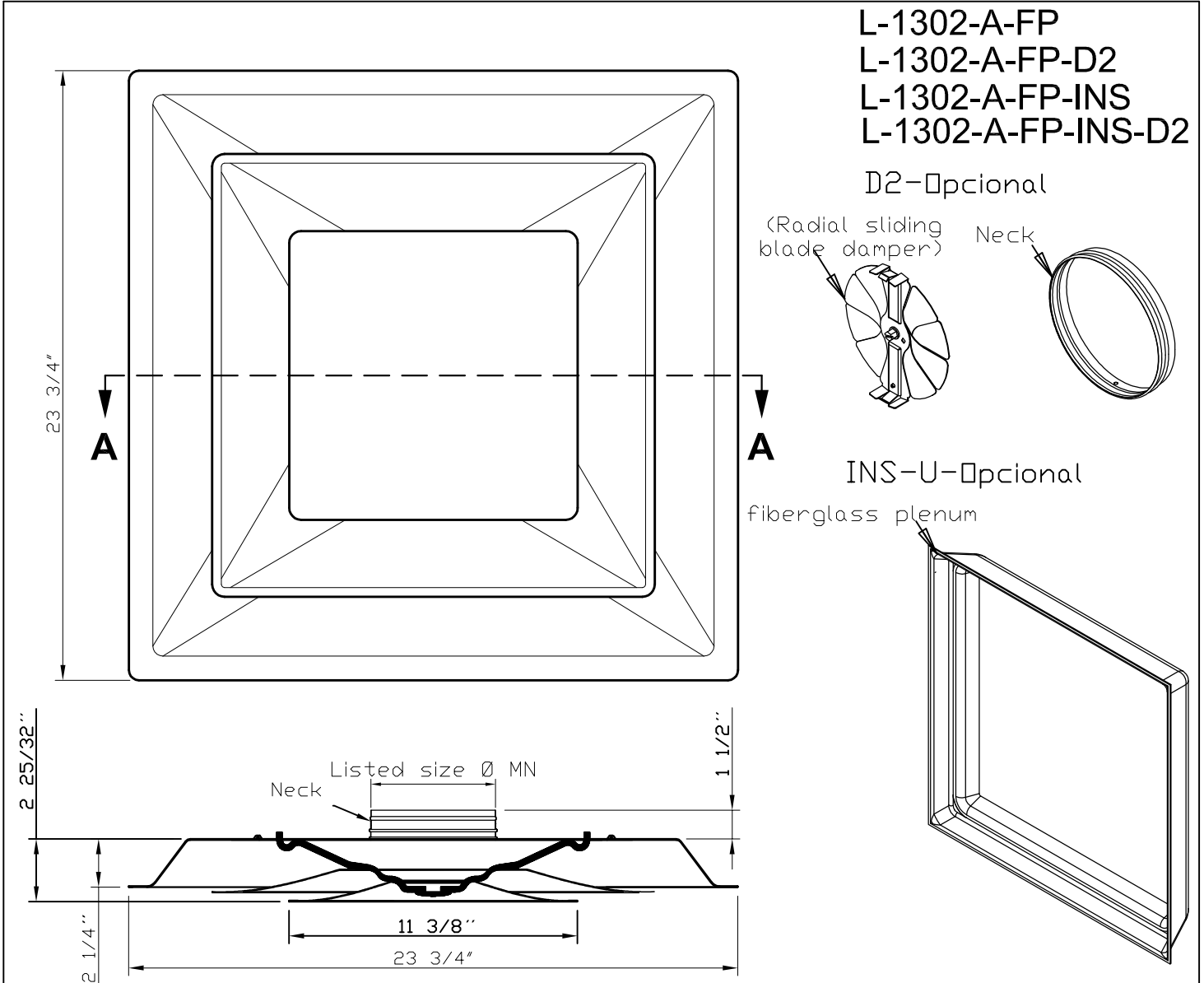


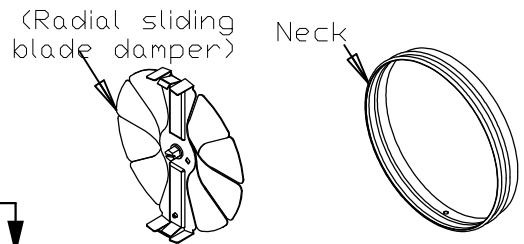


L-1302-A-FP



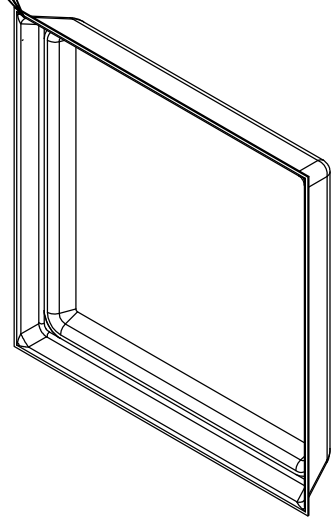
L-1302-A-FP  
 L-1302-A-FP-D2  
 L-1302-A-FP-INS  
 L-1302-A-FP-INS-D2

D2 - Optional



INS-U - Optional

fiberglass plenum



Note 1: L-1300 FP (Two cone)-Aluminum Ø 12", Neck optional available in size ØMN 6", 8", 10", 12", 14".

Note 2: D2 (Radial sliding blade damper) Optional Available in size ØMN 6", 8", 10", 12", 14".

Note 3: INS-U (Fiberglass plenum)

Finish  
 White (Standard)  
 Other colors (Optional)

Dimensions are in inches

<p>A=Aluminum Cal 16</p>	<p>L-1302-A-FP          L-1302-A-FP-D2          L-1302-A-FP-INS          L-1302-A-FP-INS-D2</p>
--------------------------	---

Job Name: _____ Location: _____	Architect: _____ Engineer: _____ Contractor: _____
------------------------------------	--